

Solatube® Universal Tile Flashing Installation Instructions

Addendum to parts list

	QTY
1. Tile flashing (Pitched or Non-Pitched version)	1
2. Aluminum "L" bracket	4
3. #8 x 1/4 in (6 mm) screws	8
4. Roofing sealant Geocel 3300*	1 (10 oz)
5. Flashing screws - #10 x 2 in (50 mm) screws*	8

*Provided with Solatube Daylighting System standard kit.

Complete Brighten-Up Series standard installation instructions steps 1-4. Do not use Portland-Cement based mastic, grout, or alkaline materials with this product. Caustic alkalis present in fresh, unhardened mortar will attack aluminum.

Step 1: Take flashing, top tube assembly, tube tape, dome, flashing screws, dome screws, dome spacers, roof sealant and required tools onto roof.

Step 2: Find roof opening location and remove enough tile to place base flashing on roof deck. Using flashing as a template; mark inside circumference of turret onto roof deck. **(Diagram A)**

Step 3: Cut through roof deck on the line. Clean roof surface using coarse brush. Center flashing over hole and temporarily insert top tube into the turret to check clearance.

Step 4: Drill (8) evenly spaced 3/16 in (5 mm) holes at perimeter of turret **(Diagram B)**.

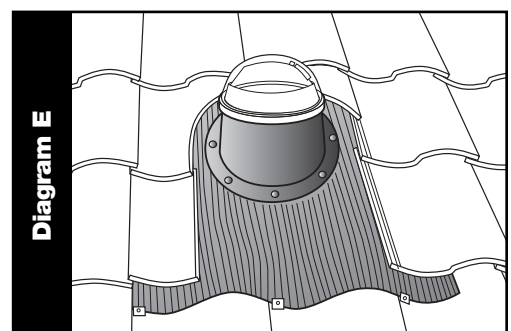
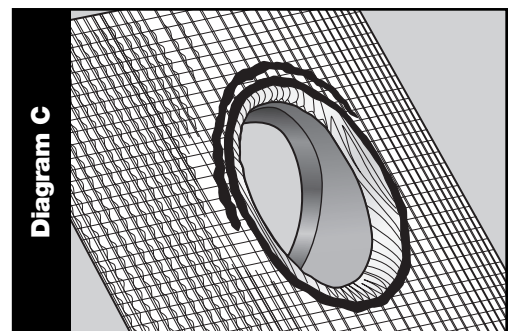
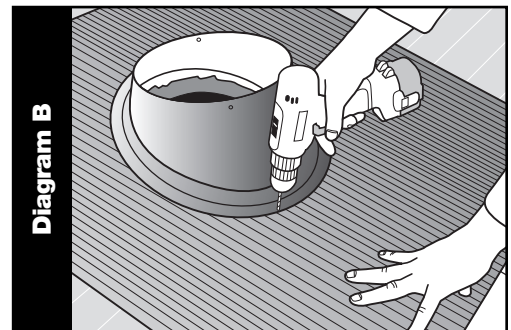
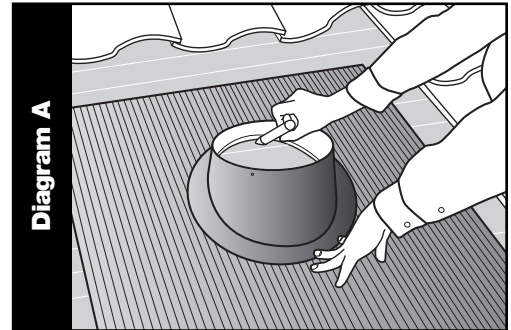
Note: if installing on battons, only drill holes that align with batton.

Step 5: Apply sealant to bottom of flashing **(Diagram C)**. Center flashing over roof-hole and fasten to roof using 2 in (50 mm) flashing screws. Seal flashing screw heads with sealant.

Step 6: Apply hand-pressure to form the lower-end of the flashing to fit over the shape of profiled tiles. Bend both sides of the flashing up to divert water and prevent birds from nesting under tiles **(Diagram D)**.

Step 7: Apply aluminum "L" brackets to secure exposed lower end of flashing to tiles. Refer to instructions with brackets. Replace and secure the tiles removed at the side and back of the flashing. Apply sealant to prevent water penetration through flashing. Use only approved adhesive to secure tiles **(Diagram E)**.

Return to **Step 9** of the **Brighten-Up Series** standard installation instructions to complete installation.



For the most current Installation Instructions, please visit www.solatube.com/instructions